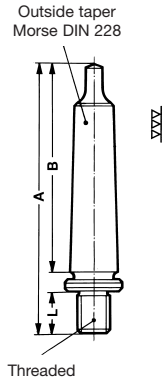
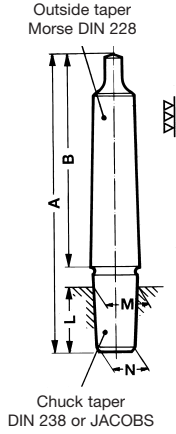


# Morse taper arbors with taper and threaded mounts, precision ground, hardened and tempered



Model No.	Morse taper DIN 228	Chuck mount	A mm	B mm	M mm	N mm	L mm	Packaging style	Weight g
C1B10	1	DIN B10	83	65.5	10.094	9.4	14.5	Individual box	55
C1B12		DIN B12	89		12.065	11.1	18.5		65
C1B16		DIN B16	99		15.733	14.5	24.0		90
C1B18		DIN B18	99		17.780	16.2	32.0		110
C1J0		JACOBS 0	81		6.35	5.802	11.112		50
C1J1		JACOBS 1	86		9.754	8.468	16.67		50
C1J2		JACOBS 2	92		14.2	12.39	22.23		60
C1J3		JACOBS 3	102		20.6	18.95	30.96		60
C1J6		JACOBS 6	96		17.17	15.85	25.4		60
C1J33		JACOBS 33	96		15.85	14.24	25.4		60
C1F38		Thr. 3/8" x 24	83		-	-	14.3		60
C1F12		Thr. 1/2" x 20	85		-	-	14.3		60
C2B10	2	DIN B10	105	80	10.094	9.4	14.5	Individual box	130
C2B12		DIN B12	106		12.065	11.1	18.5		135
C2B16		DIN B16	112		15.733	14.5	24.0		160
C2B18		DIN B18	119		17.780	16.2	32.0		180
C2B22		DIN B22	130		21.793	19.8	40.5		245
C2J0		JACOBS 0	96		6.35	5.802	11.112		125
C2J1		JACOBS 1	101		9.754	8.468	16.67		130
C2J2		JACOBS 2	107		14.2	12.39	22.23		160
C2J3		JACOBS 3	117		20.6	18.95	30.96		200
C2J4		JACOBS 4	129		28.55	26.346	42.07		210
C2J6		JACOBS 6	111		17.17	15.85	25.4		165
C2J33		JACOBS 33	112		15.85	14.24	25.4		160
C2F38		Thr. 3/8" x 24	96		-	-	14.3		160
C2F12		Thr. 1/2" x 20	104		-	-	14.3		165
C2F58		Thr. 5/8" x 16	117		-	-	17.5		180
C2F34		Thr. 3/4" x 16	107		-	-	17.5		190
C3B12	3	DIN B12	125	99	12.065	11.1	18.5	Individual box	280
C3B16		DIN B16	134		15.733	14.5	24.0		310
C3B18		DIN B18	140		17.780	16.2	32.0		320
C3B22		DIN B22	147		21.793	19.8	40.5		390
C3B24		DIN B24	157		23.825	21.3	50.5		440
C3J1		JACOBS 1	125		9.754	8.468	16.67		290
C3J2		JACOBS 2	126		14.2	12.39	22.23		310
C3J3		JACOBS 3	136		20.6	18.95	30.96		350
C3J6		JACOBS 6	130		17.17	15.85	25.4		310
C3J33		JACOBS 33	130		15.85	14.24	25.4		310
C3J4		JACOBS 4	147		28.55	26.346	42.07		330
C3F38		Thr. 3/8" x 24	114		-	-	14.3		310
C3F12		Thr. 1/2" x 20	122		-	-	14.3		320
C3F58		Thr. 5/8" x 16	126		-	-	17.5		340
C3F34	Thr. 3/4" x 16	126	-	-	17.5	350			
C4B16	4	DIN B16	156	124	15.733	14.5	24.0	Individual box	625
C4B18		DIN B18	164		17.780	16.2	32.0		660
C4B22		DIN B22	176		21.793	19.8	40.5		715
C4B24		DIN B24	186		23.825	21.3	50.5		770
C4J2		JACOBS 2	153		14.2	12.39	22.23		600
C4J3		JACOBS 3	162		20.6	18.95	30.96		660
C4J4		JACOBS 4	173		28.55	26.346	42.07		700
C4J5		JACOBS 5	179		35.89	33.422	47.625		750
C4J6		JACOBS 6	156		17.17	15.85	25.4		650
C4J33	JACOBS 33	156	15.85	14.24	25.4	640			
C5B16	5	DIN B16	198	156	15.733	14.5	24.0	Individual box	1600
C5B18		DIN B18	198		17.780	16.2	32.0		1600
C5B22		DIN B22	207		21.793	19.8	40.5		1650
C5B24		DIN B24	217		23.825	21.3	50.5		1700
C5J3		JACOBS 3	198		20.6	18.95	30.96		1600
C5J4		JACOBS 4	210		28.55	26.346	42.07		1650
C5J5		JACOBS 5	216		35.89	33.422	47.625		1700
C5J6	JACOBS 6	198	17.17	15.85	25.4	1650			

## Iso taper arbors hardened and tempered according to DIN 2080



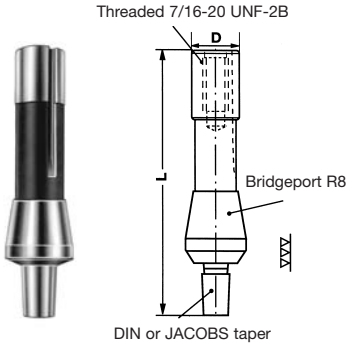
Model No.	Iso taper	Chuck mount	Drawbolt thread	Packaging style	Weight g
ISO30J6	30	JACOBS 6	M12	Individual box	425
ISO30B12		DIN B12			420
ISO30B16		DIN B16			425
ISO40J6	40	JACOBS 6	M16	Individual box	970
ISO40B12		DIN B12			965
ISO40B16		DIN B16			970
ISO40B18		DIN B18			970
ISO50J6	50	JACOBS 6	M24	Individual box	2560
ISO50B16		DIN B16			
ISO50B18		DIN B18			

## Parallel arbors with Jacobs taper mounts



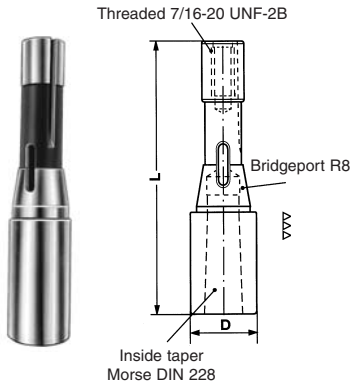
Model No.	A	B mm	Jacobs taper mount	Packaging style	Weight g
PA38J0	3/8"	60	0	Individual box	57
PA38J1			1		63
PA12J0	1/2"	64	0	Individual box	86
PA12J1			1		93
PA12J2			2		115
PA12J6			6		129
PA12J33			33		122
PA58J1	5/8"	64	1	Individual box	127
PA58J2			2		145
PA58J3			3		160
PA58J6			6		160
PA58J33			33		155
PA34J1	3/4"	72	1	Individual box	200
PA34J2			2		218
PA34J3			3		275
PA34J6			6		235
PA34J33			33		225
PA1J2	1"	74	2	Individual box	349
PA1J3			3		355
PA1J6			6		365
PA1J33			33		365

## Bridgeport R8 taper adaptors for chucks with DIN or Jacobs mount



Model No.	Taper	Mount	D mm	L mm	Drawbolt thread	Packaging style	Weight g
CR8B12	Bridgeport R8	DIN B12	24.10	132	7/16"-20	Individual box	400
CR8B16		DIN B16		135			425
CR8B18		DIN B18		137			435
CR8J2	Bridgeport R8	JACOBS 2	24.10	132	7/16"-20	Individual box	400
CR8J3		JACOBS 3		141			460
CR8J6		JACOBS 6		135			430
CR8J33		JACOBS 33		135			420

## Bridgeport R8 taper adaptors for Morse taper



Model No.	Taper	Morse taper	D mm	L mm	Drawbolt thread	Packaging style	Weight g
CR8MT1	Bridgeport R8	1	32	124	7/16"-20	Individual box	450
CR8MT2		2		137			460
CR8MT3		3		139			320