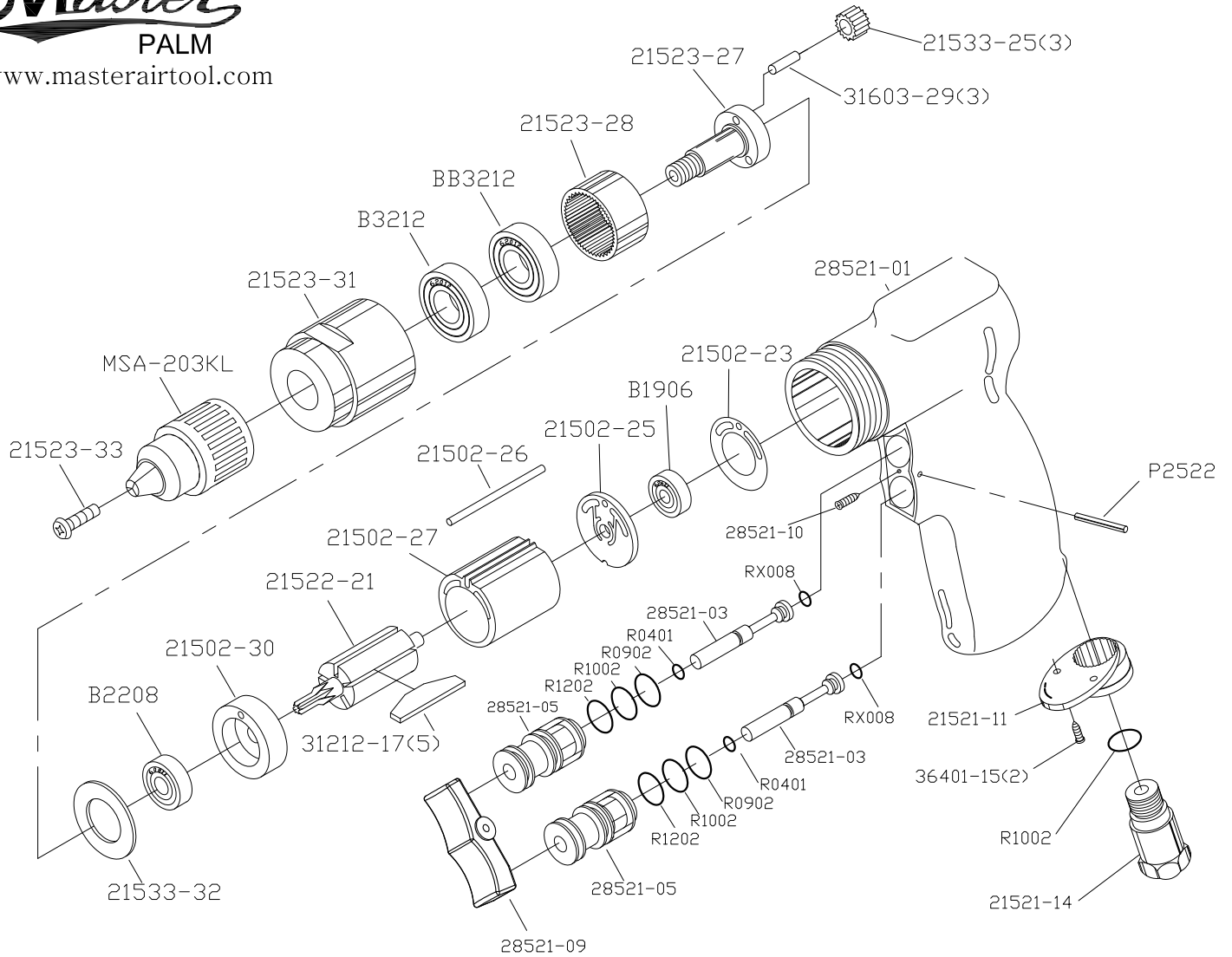


MPT-28520K 3/8" Reversible Air Drill



DESCRIPTION	PARTS NO.	DESCRIPTION	PARTS NO.
MOTOR HOUSING	28521-01	MOTOR PIN	21502-26
O RING (2)	RX008	CYNLIDER	21502-27
THROTTLE VALVE (2)	28521-03	ROTOR	21522-21
O RING (2)	R0401	ROTOR BLADE (5)	31212-17
O RING (2)	R0902	FRONT END PLATE	21502-30
REVERSE BUSHING (2)	28521-05	BEARING	B2208
O RING (2)	R1002	MOTOR WASHER	21533-32
O RING (2)	R1202	PLANET GEAR (3)	21533-25
TRIGGER	28521-09	PLANET GEAR SPINDLE (3)	31603-29
EXHAUST SLEEVE	21521-11	PLANET GEAR SEAT	21523-27
TRIGGER SCREW	28521-10	INTERNAL GEAR	21523-28
CIRCLE OF SCREW (2)	36401-15	BEARING	BB3212
O RING	R1002	BEARING	B3212
INLET BUSHING	21521-14	CLAMP NUT	21523-31
SPRING PIN	P2522	CHUCK	MSA-203KL
MOTOR GASKET	21502-23	CHUCK SCREW	21523-33
BEARING	B1906	REAR END PLATE	21502-25