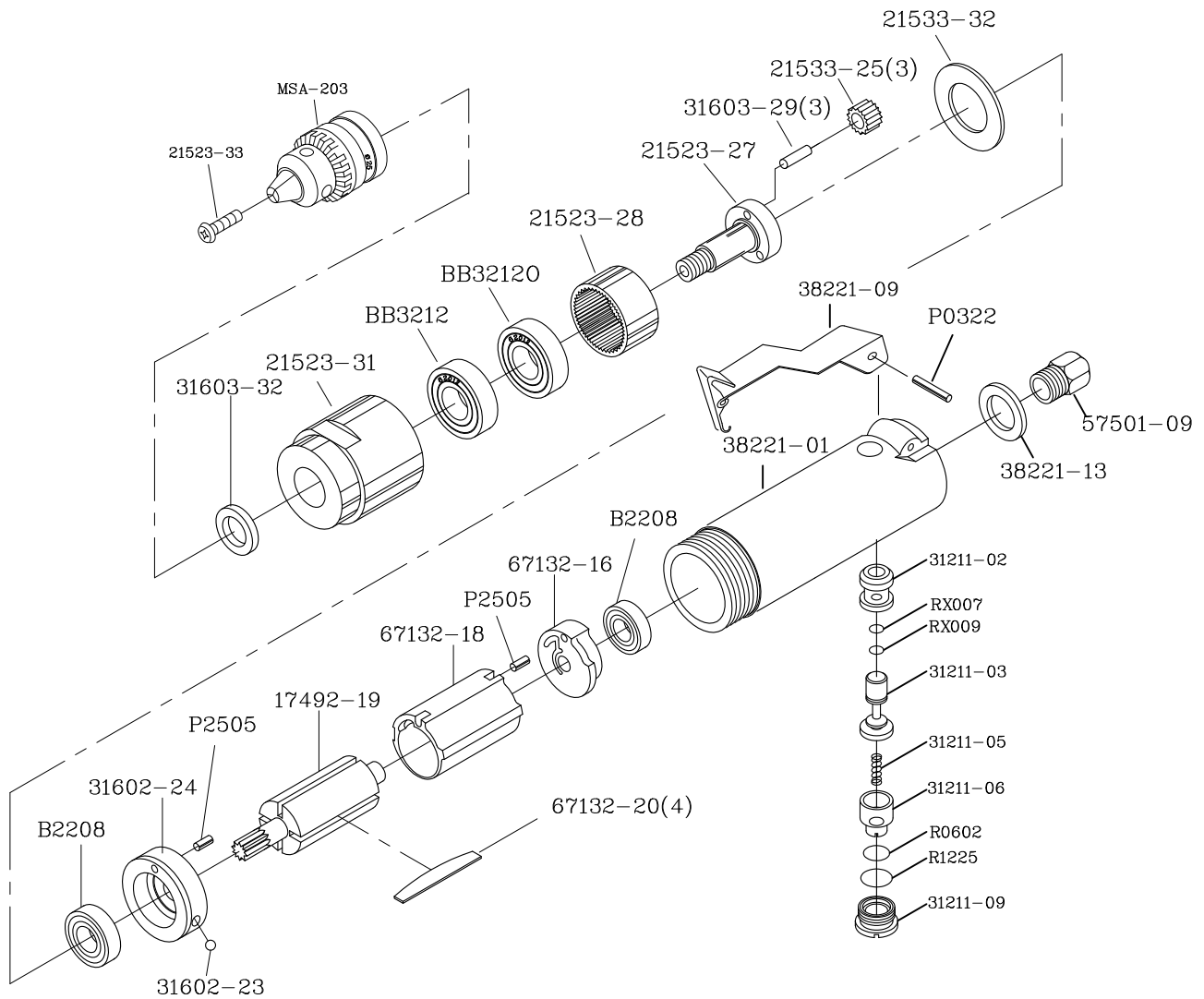


MPT-28670 3/8" Straight Drill



DESCRIPTION	PARTS NO.	DESCRIPTION	PARTS NO.
MOTOR HOUSING	38221-01	CYLINDER	67132-18
VALVE BUSHING	31211-02	ROTOR	17492-19
O RING	RX007	ROTOR BLADE(4)	67132-20
O RING	RX009	FRONT END PLATE	31602-24
THROTTLE VALVE	31211-03	ROLL PIN	31602-23
SPRING	31211-05	MOTOR WASHER	21533-32
AIR REGULATOR	31211-06	BEARING	BB32120
O RING	R0602	BEARING	BB3212
O RING	R1225	INTERNAL GEAR	21523-28
VALVE SCREW	31211-09	PLANET CAGE	21523-27
THROTTLE LEVER	38221-09	PLANET PIN (3)	31603-29
LEVER PIN	P0322	PLANET GEAR (3)	21533-25
EXHAUST LEVER	38221-13	CLAMP NUT	21523-31
INLET BUSHING	57501-09	SPINDLE WASHER	31603-32
BEARING (2)	B2208	3/8" DRILL CHECK	MSA-203
REAR END PLATE	67132-16	CHUCK SCREW	21523-33
MOTOR PIN(2)	P2505	CHUCK KEY	WO318