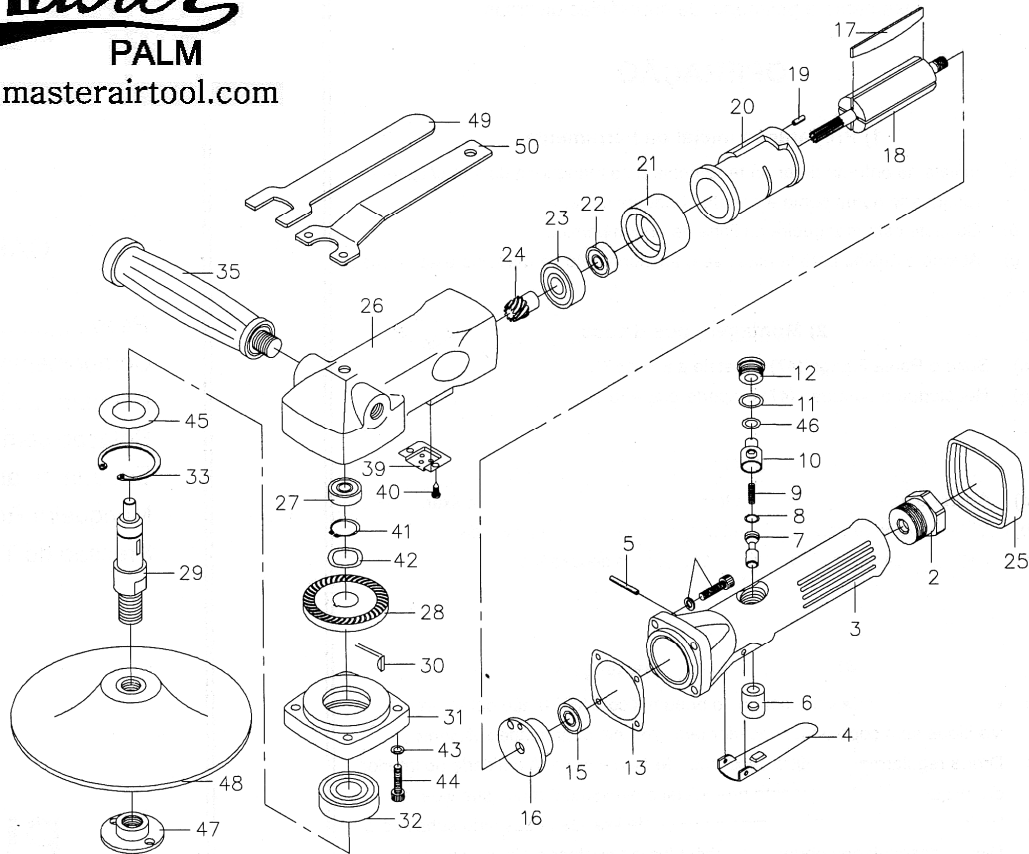


**Master**<sup>®</sup>  
PALM

www.masterairtool.com

# 51470 7" Heavy Duty Angle Sander



Part no.	Desc.	Item no.	Desc.
51471-02	Air Inlet	51471-26	Motor Housing
51471-03	Valve Body	51473-27	Bearing
51471-04	Lever	51473-28	Bevel Gear
51471-05	Lever Pin	51473-29	Spindle
51471-06	Valve Bushing	51473-30	Woodruff Key
51471-07	Valve Stem	51473-31	Housing Cap
51471-08	"O" Ring	51473-32	Bearing
51471-09	Valve Spring	51473-33	Retaining Ring
51471-10	Air Controller	51474-35	Handle
51471-11	"O" Ring	51473-39	Exhaust Deflector
51471-12	Valve Screw	51473-40	Exhaust Deflector Screw
51471-13	Gasket	51473-41	Retaining Ring
51472-15	Bearing	51473-42	Wave Washer
51472-16	Rear End Plate	51473-43	Spring Washer
51472-17	Rotor Blade	51473-44	Screw
51472-18	Rotor	51473-45	Wave Washer
51472-19	Cylinder Pin	51471-46	"O" Ring
51472-20	Cylinder	51473-47	Locknut
51472-21	Front End Plate	51473-48	7" Sanding Pad
51472-22	Bearing	51474-49	Wrench
51472-23	Bearing	51474-50	Wrench
51472-24	Pinion	51473-51	Screw
51471-25	Housing Band		