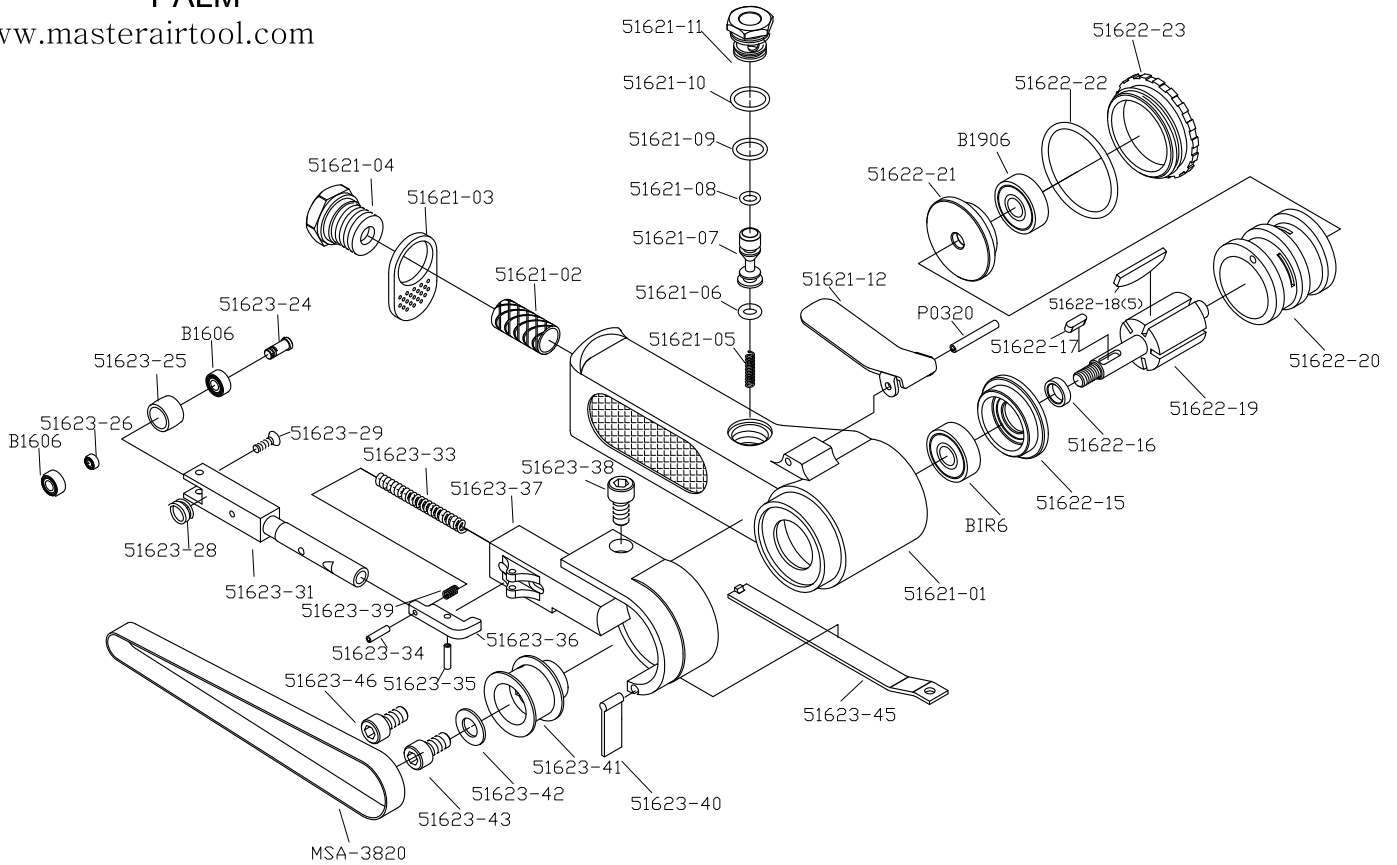


# MPT-51620 Belt Sander (20\*520mm)

www.masterairtool.com



DESCRIPTION	PARTS NO.	DESCRIPTION	PARTS NO.
MOTOR HOUSING	51621-01	MOTOR CLAMP	51622-23
VALVE BUSHING	51621-11	IDLE PUILEY SHAFT 10	51623-24
O-RING	51621-10	BEARING (2)	B1606
THROTTLE VALVE	51621-07	IDLE PUILEY 10 ASSY	51623-25
O-RING	51621-09	WASHER	51623-26
O-RING	51621-08	SCREW	51623-28
VALVE SPRING	51621-05	SPRING	51623-29
O-RING	51621-06	TENSION BAR	51623-31
THROTTLE LEVER	51621-12	SPRING	51623-33
SPRING PIN	P0320	PIN	51623-34
EXHAUST SLEEVE	51621-03	PIN	51623-35
INLET BUSHING	51621-04	TENSION BAR LEVER	51623-36
SPRING	51621-02	GUARD SUB ASSY	51623-37
BALL BEARING	BIR6	SET SCREW	51623-38
FRONT END PLATE	51622-15	SCREW	51623-39
BALL BEARING	B1906	DUST COVER	51623-40
REAR END PLATE	51622-21	DRIVER PULLEY	51623-41
ROTOR KEY	51622-17	WASHER	51623-42
CYCLINDER	51622-20	SET NUT	51623-43
ROTOR	51622-19	SHOE 10	51623-45
ROTOR BLADE (5)	51622-18	Hexsagon Socket Head Bolt	51623-46
WASHER	51622-16	BELT SANDER PAPER	MSA-3820
O-RING	51622-22		