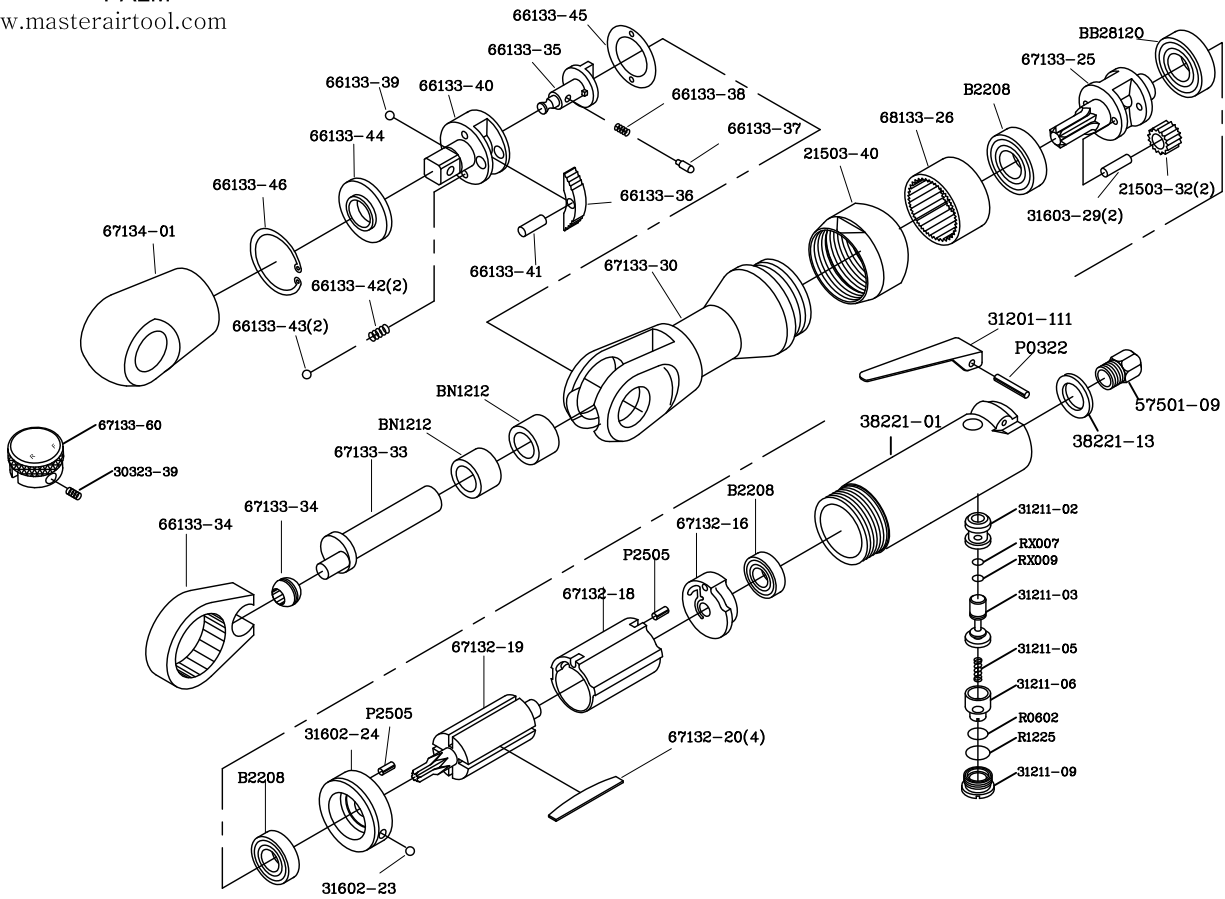


MPT-68130 3/8" Air Ratchet Wrench



DESCRIPTION	PARTS NO.	DESCRIPTION	PARTS NO.
MOTOR HOUSING	38221-01	PLANET GEAR(2)	21503-32
VALVE STEM	31211-02	PLANET PIN(2)	31603-29
O RING	RX007	GEAR RING	68133-26
O RING	RX009	CLAMP NUT	21503-40
VALVE STEM	31211-031	RATCH HOUSING	67133-30
SPRING	31211-05	BEARING (2)	BN1212
AIR REGULATOR	31211-06	CRANK SHAFT	67133-33
O RING	R0602	DRIVE BUSHING	67133-34
O RING	R1225	RATCHET YOKE	66133-34
VLAVE SCREW	31211-09	GASKET	66133-45
THROTTLE VAVLE	31201-111	REVERSE BUTTON	66133-35
DOWEL PIN	P0322	SPRING	66133-38
EXHASUT SLEEVE	38221-13	REVERSE PIN	66133-37
INLET BUSHING	57501-09	3/8" RATCHET ANVIL	66133-40
BEARING (3)	B2208	RATCHET PAWL	66133-36
REAR BLADE	67132-16	PIN	66133-41
DOWEL PIN (2)	P2505	BALL	66133-39
CYLINDER	67132-18	SPRING(2)	66133-42
ROTOR	67132-19	BALL(2)	66133-43
ROTOR BLADE(4)	67132-20	THRUST WASHER	66133-44
FRONT END PLATE	31602-24	RETAINING RING	66133-46
ROLL PIN	31602-23	RATCH HOUSING COVER	67134-01
BEARING	BB28120	REVERSIBLE BUTTON	67133-60
PLANET CAGE	67133-25	SET SCREW	30323-39