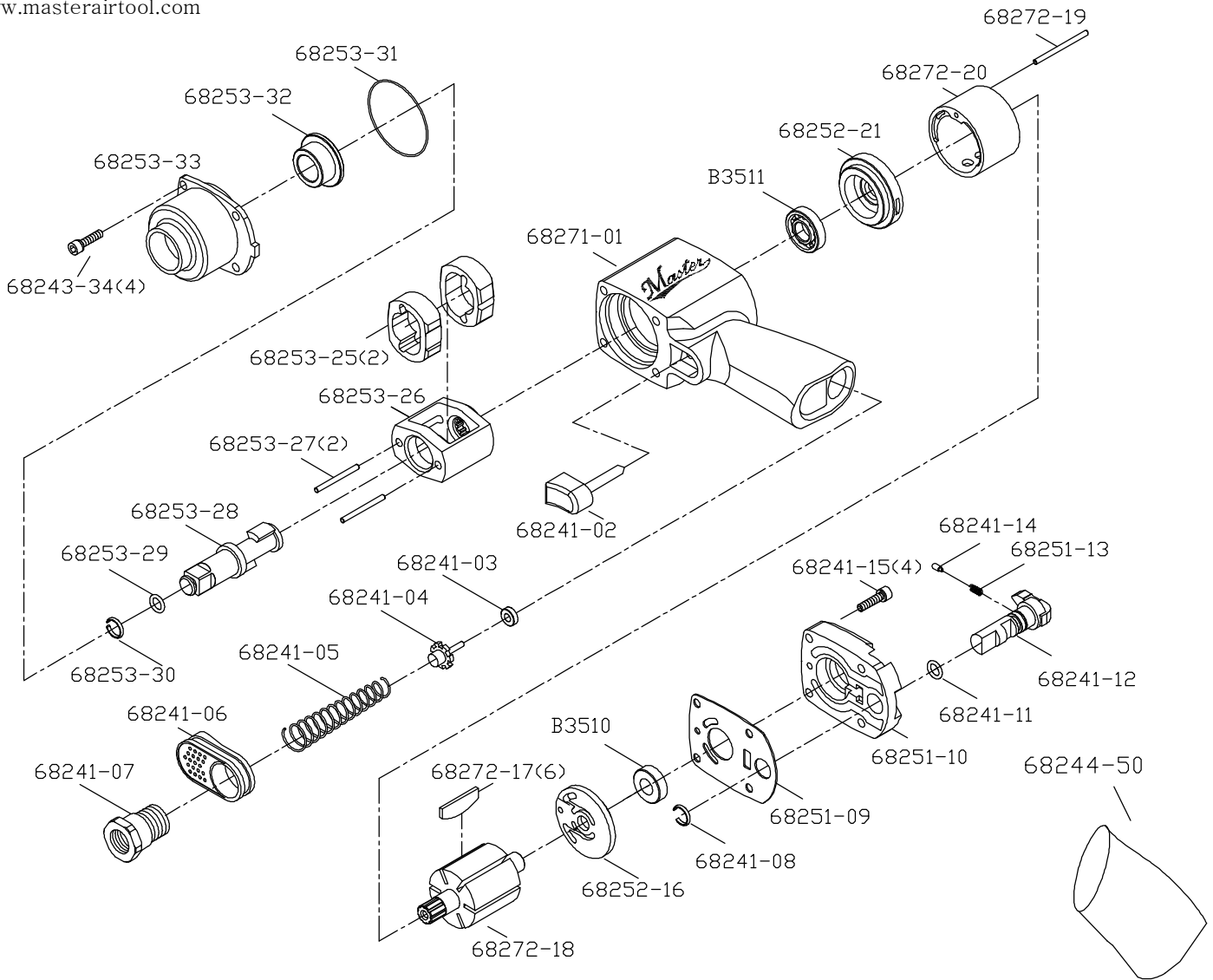


MPT-68270 1/2" Turbo Impact Wrench



| DESCRIPTION | PARTS NO. | DESCRIPTION | PARTS NO. |
|------------------|-----------|-------------------|-----------|
| MOTOR HOUSING | 68271-01 | MOTOR PIN | 68272-19 |
| TRIGGER | 68241-02 | CYNLIDER | 68272-20 |
| THROTTLE BUSHING | 68241-03 | ROTOR | 68272-18 |
| THROTTLE VAVLE | 68241-04 | ROTOR BLADE(6) | 68272-17 |
| VALVE SPRING | 68241-05 | FRONT END PLATE | 68252-21 |
| EXHAUST SLEEVE | 68241-06 | BEARING | B3511 |
| INLET BUSHING | 68241-07 | HAMMER (2) | 68253-25 |
| REVESER RETAINER | 68241-08 | HAMMER CAGE | 68253-26 |
| HOUSING GASKET | 68251-09 | HAMMER PIN (2) | 68253-27 |
| HOUSING COVER | 68251-10 | 1/2"ANVIL | 68253-28 |
| O RING | 68241-11 | REATINER ORING | 68253-29 |
| COVER SCREW(4) | 68241-15 | SOCKET REATINER | 68253-30 |
| REVESER VAVLE | 68251-12 | O RING | 68253-31 |
| REVESER SPRING | 68241-13 | ANVIL BUSHING | 68253-32 |
| REVESER PIN | 68241-14 | HAMMER HOUSING | 68253-33 |
| BEARING | B3510 | HOUSING SCREW (4) | 68243-34 |
| REAR END PLATE | 68252-16 | HOUSING GRIP | 68244-50 |